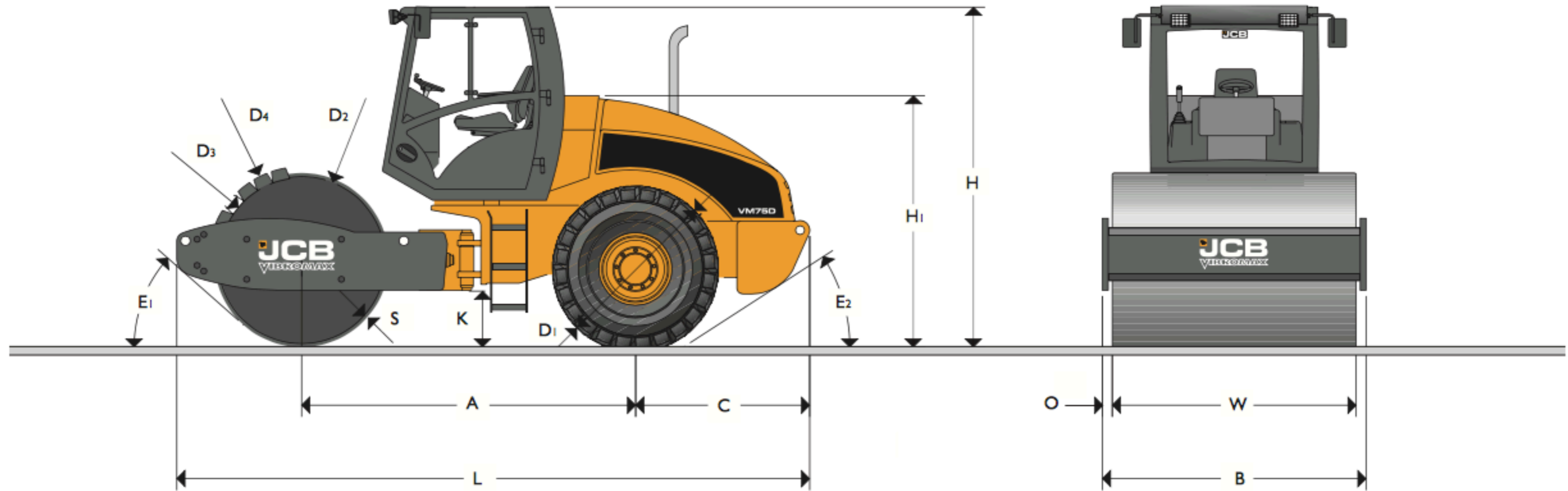


DRUM WIDTH: 68.9 in (1,750 mm) MAX OPERATING WEIGHT: 16,094 lb (7,300 kg) / 16,755 lb (7,600 kg) MAX HORSEPOWER: 84 hp



STATIC DIMENSIONS

Dimensions in inches (mm)		
A	Wheelbase	99.0 (2514)
B	Overall Width	73.6 (1870)
C	Axle to Rear Face	57.9 (1470)
D1	Wheel Diameter	51.1 (1298)
D2	Drum Diameter (smooth drum)	48.0 (1220)
D3	Inner Diameter padfoot drum	44.9 (1140)
D4	Outer Diameter Padfoot Drum	51.2 (1300)
H	Total Travel Clearance	112.0 (2845)
H1	Height to Top of Seat	81.5 (2070)
K	Ground Clearance	15.3 (389)
L	Total Travel Length	192.4 (4887)
O	Overhang	2.4 (60)
S	Drum Thickness	1.0 (25)
W	Drum Width	68.9 (1750)
E1	Front Departure Angle	40°
E2	Rear Departure Angle	28°

OPERATING DATA

		VM75D		VM75PD	
		1	2	1	2
Operating Weight Max	lb (kg)	16,094 (7300)		16,755 (7600)	
Operating Axle Load Front / Rear	lb (kg)	7937 (3600) / 8157 (3700)		8598 (3900) / 8157 (3700)	
Operating Linear Load Front	lb/in (kg/cm)	115 (20.6)			
Vibration Stage					
Exciter Frequency	vpm (Hz)	1740 (29)	2160 (36)	1740 (29)	2160 (36)
Nominal Amplitude	in (mm)	0.079 (2)	0.031 (0.8)	0.079 (2)	0.031 (0.8)
Centrifugal Force per Drum	lbf (kN)	31,024 (138)	18,884 (84)	35,070 (156)	21,582 (96)
Centrifugal Force / Drum Width	lbf/in (N/cm)	450 (789)	274 (480)	509 (891)	313 (549)
Compaction Depth up to	in (cm)	26 (65)	20 (50)	30 (75)	24 (60)
Working Speed (forward/reverse) Max	mph (km/h)	4.3 (6.9)		4.3 (6.9)	
Travel Speed (forward/reverse) Max	mhp (km/h)	6.8 (11)		6.8 (11)	
Steering Lock Angle	degrees	±28		±28	
Vertical Oscillation	degrees	±15		±15	
Inner Turning Radius	in (m)	117 (2.97)		117 (2.97)	
Tires		14.9 - 24 / 6PR AWT		14.9 - 24 Dyna Torque II	
Number of Padfeet				100	
Height of Padfoot	in (mm)			3.1 (80)	
Gradeability up to	degrees (%)	31 (60)		33 (65)	