

[Home](#) → [Spec Search](#) → [All Types](#) → [Loader Backhoe](#) → [JCB](#) → 3CX Sitemaster

JCB 3CX SITEMASTER LOADER BACKHOE

[VIEW ARTICLES ON THIS ITEM](#)

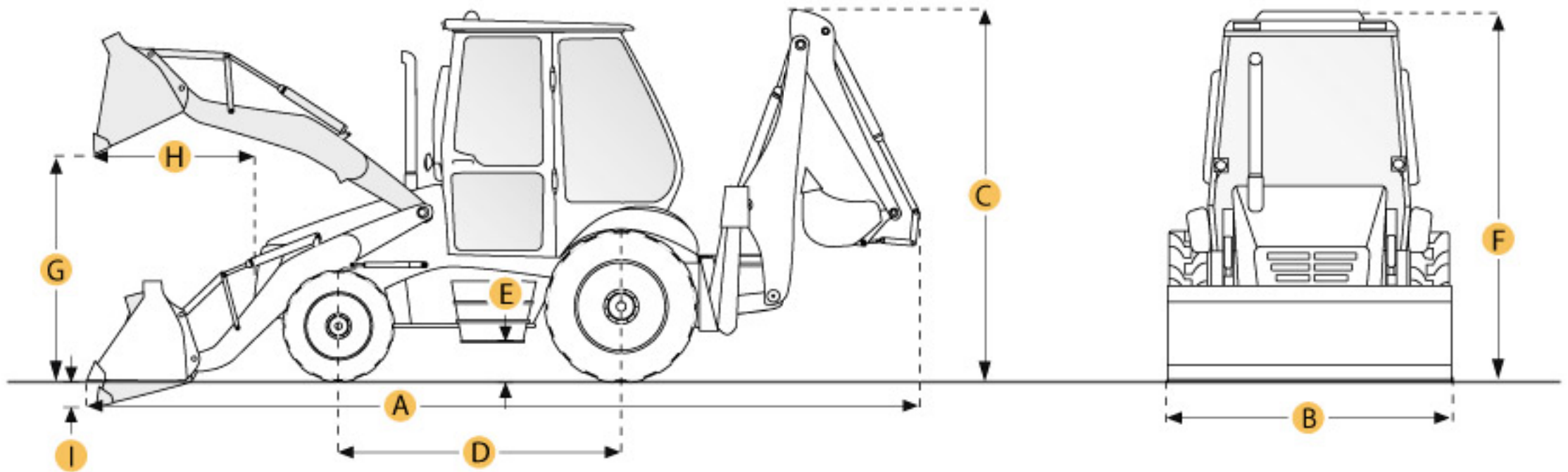
Print specification

Looking to purchase this item?

[Find a JCB 3CX Sitemaster Loader Backhoe](#) being sold at Ritchie Bros. auctions.

Need to sell equipment?

[Complete this form](#) and a Ritchie Bros. representative will contact you.



Selected Dimensions

Backhoe

J. LOAD HEIGHT - STD	12.6 ft in	3840 mm
K. REACH FROM SWIVEL - STD	17.6 ft in	5370 mm
L. DIG DEPTH - STD	13.9 ft in	4240 mm
M. REACH AT LOAD HEIGHT - STD	9 ft in	2740 mm

Dimensions

A. TRANSPORT LENGTH	18.4 ft in	5620 mm
B. TRANSPORT WIDTH	7.3 ft in	2240 mm
C. TRANSPORT HEIGHT	11.8 ft in	3610 mm
D. WHEELBASE	7.1 ft in	2170 mm
E. GROUND CLEARANCE	1.2 ft in	370 mm
F. HEIGHT TO TOP OF CAB	9.5 ft in	2910 mm

Loader

G. CLEARANCE AT MAX DUMP HEIGHT	9 ft in	2740 mm
H. REACH AT MAX DUMP HEIGHT	2.6 ft in	780 mm
I. DIG DEPTH	3.9 in	100 mm

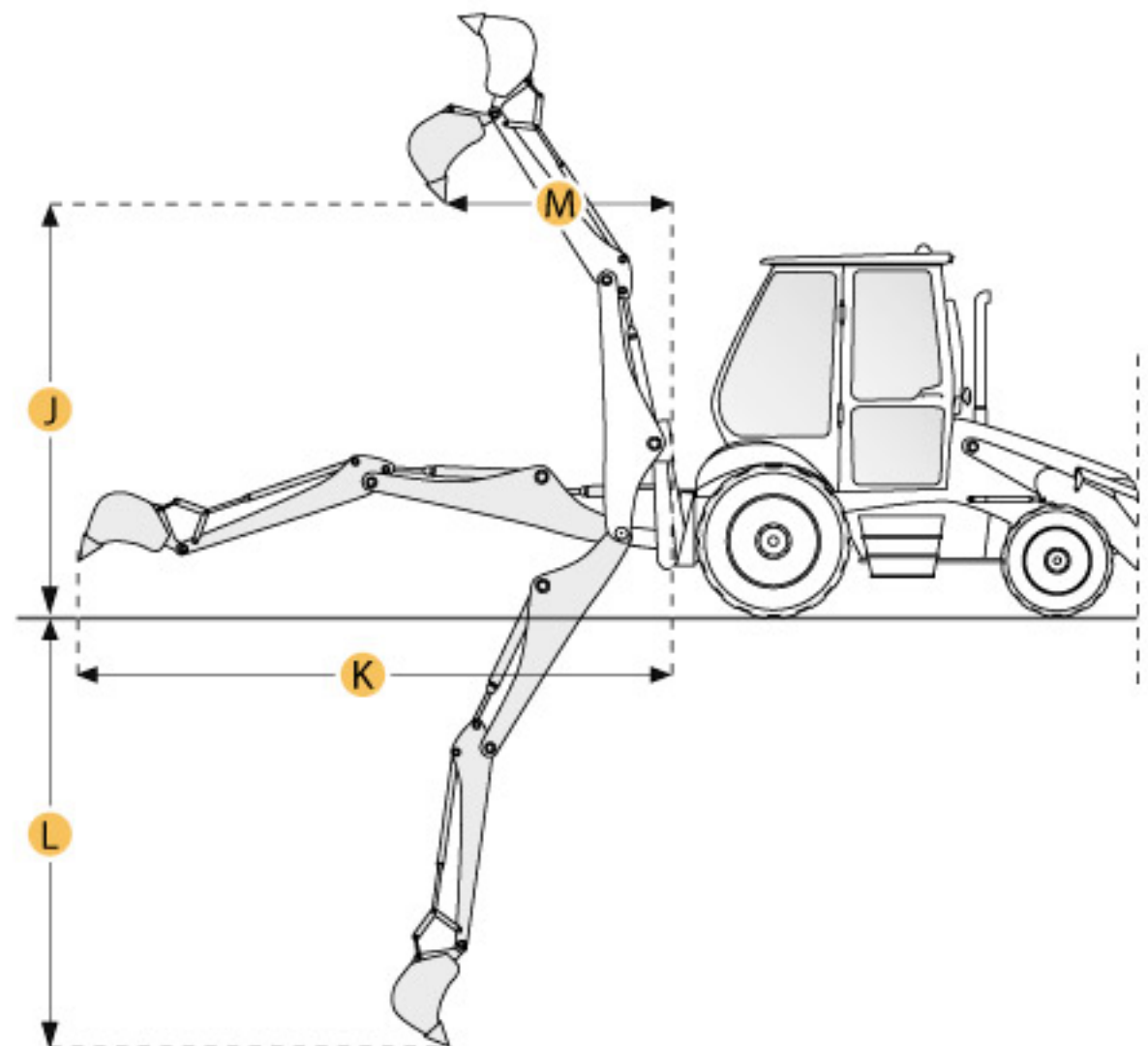
Specification

Engine

MAKE	JCB	
NET POWER	90.1 hp	67.2 kw
GROSS POWER	92 hp	68.6 kw
DISPLACEMENT	268.5 cu in	4.4 L
POWER MEASURED @	2200 rpm	
TORQUE MEASURED @	1300 rpm	
NET MAX TORQUE	281.8 lb ft	382.1 Nm
ASPIRATION	turbocharged	

Operational

FUEL CAPACITY	42.3 gal	160 L
HYDRAULIC SYSTEM FLUID CAPACITY	34.9 gal	132 L
OIL SYSTEM FLUID CAPACITY	4 gal	15 L
COOLING SYSTEM FLUID CAPACITY	4.9 gal	18.5 L
TRANSMISSION FLUID CAPACITY	4.2 gal	16 L
FRONT AXLE FLUID CAPACITY	4.2 gal	16 L



REAR AXLE FLUID CAPACITY	4.2 gal	16 L
TIRE SIZE FRONT - 2WD / 4WD	12x18 10PR Industrial	
REAR TIRES SIZE 2WD/4WD	16.9x28 12PR Industrial	
OPERATING VOLTAGE	12 V	
ALTERNATOR SUPPLIED AMPERAGE	95 amps	

Transmission

TYPE	powershift	
NUMBER OF FORWARD GEARS	4	
NUMBER OF REVERSE GEARS	4	
MAX SPEED - FORWARD	23.8 mph	38.3 km/h
MAX SPEED REVERSE	23.8 mph	38.3 km/h

Backhoe

DIG DEPTH - STD	13.9 ft in	4240 mm
DIG DEPTH - EXT	17.9 ft in	5460 mm
REACH FROM SWIVEL - STD	17.6 ft in	5370 mm
REACH FROM SWIVEL - EXT	21.4 ft in	6520 mm
BUCKET DIG FORCE - STD	11847 lb	5373.7 kg
BUCKET DIG FORCE - EXT	11847 lb	5373.7 kg
LOAD AT MAX LIFT - STD	3198.9 lb	1451 kg
LOAD AT MAX LIFT - EXT	1585.1 lb	719 kg
LOAD HEIGHT - STD	12.6 ft in	3840 mm
LOAD HEIGHT - EXT	15.5 ft in	4720 mm
REACH AT LOAD HEIGHT - STD	9 ft in	2740 mm
REACH AT LOAD HEIGHT - EXT	12 ft in	3660 mm

Loader

BUCKET CAPACITY	1.3 yd3	1 m3
BUCKET WIDTH	88 in	2235 mm
BUCKET BREAKOUT FORCE	14398 lb	64 kN
LIFT CAPACITY AT FULL HEIGHT	7118.7 lb	3229 kg
CLEARANCE AT MAX DUMP HEIGHT	9 ft in	2740 mm
REACH AT MAX DUMP HEIGHT	2.6 ft in	780 mm
DIG DEPTH	3.9 in	100 mm

Hydraulic

PUMP TYPE	open centre system w/ twin gear pumps and hydraulic speed control	
PUMP FLOW CAPACITY	20.9 gal/min	79 L/min
RELIEF VALVE PRESSURE	3650 psi	25165.8 kPa

Dimensions

TRANSPORT LENGTH	18.4 ft in	5620 mm
TRANSPORT WIDTH	7.3 ft in	2240 mm
TRANSPORT HEIGHT	11.8 ft in	3610 mm
HEIGHT TO TOP OF CAB	9.5 ft in	2910 mm
WHEELBASE	7.1 ft in	2170 mm
GROUND CLEARANCE	1.2 ft in	370 mm