

[Home](#) → [Spec Search](#) → [Constructio](#) → [Hydraulic Excavator](#) → [Caterpillar](#) → 320C L

## CATERPILLAR 320C L HYDRAULIC EXCAVATOR

[VIEW ARTICLES ON THIS ITEM](#)

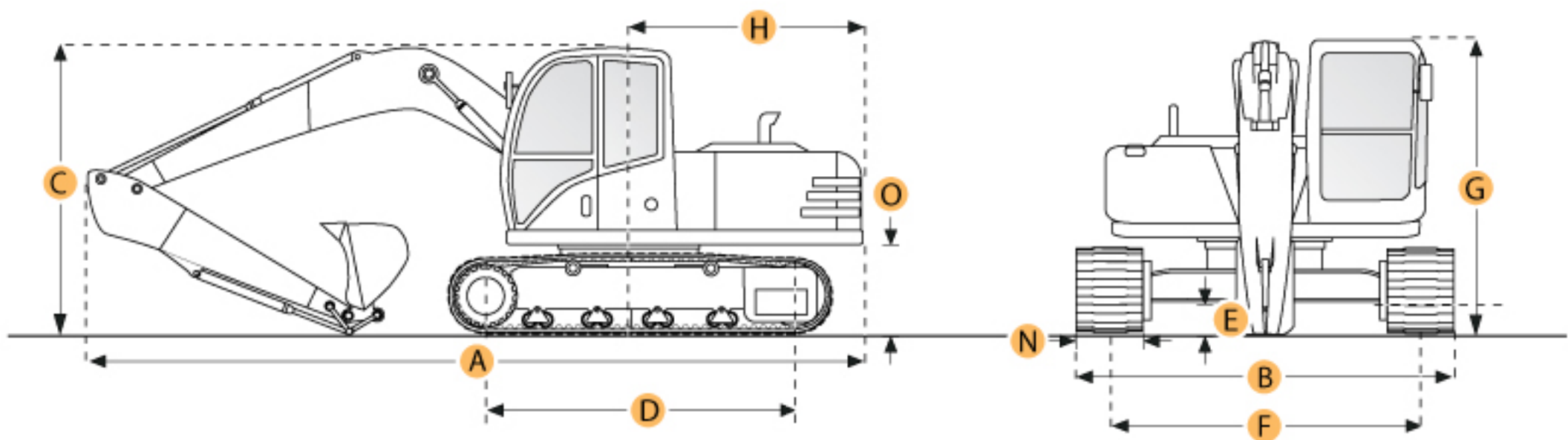
Print specification

Looking to purchase this item?

[Find a Caterpillar 320C L Hydraulic Excavator](#) being sold at Ritchie Bros. auctions.

Need to sell equipment?

[Complete this form](#) and a Ritchie Bros. representative will contact you.



### Selected Dimensions

Boom/Stick Option

Boom/Stick Option (HEX) 1

A. SHIPPING LENGTH OF UNIT	32.9 ft in	10042 mm
C. SHIPPING HEIGHT OF UNIT	9.9 ft in	3011 mm
I. MAX CUTTING HEIGHT	35.6 ft in	10850 mm
J. MAX LOADING HEIGHT	25.2 ft in	7690 mm
K. MAX REACH ALONG GROUND	30.7 ft in	9350 mm
L. MAX VERTICAL WALL DIGGING DEPTH	10.8 ft in	3280 mm
M. MAX DIGGING DEPTH	13.6 ft in	4160 mm

### Dimensions

B. WIDTH TO OUTSIDE OF TRACKS	9.8 ft in	2980 mm
D. LENGTH OF TRACK ON GROUND	12 ft in	3650 mm
E. GROUND CLEARANCE	1.5 ft in	460 mm
G. HEIGHT TO TOP OF CAB	9.7 ft in	2950 mm
H. TAIL SWING RADIUS	9.1 ft in	2770 mm

### Undercarriage

F. TRACK GAUGE	7.8 ft in	2380 mm
N. SHOE SIZE	23.6 in	600 mm

### Specification

#### Engine

MAKE	Caterpillar	
MODEL	ATAAC engine 3066	
GROSS POWER	138 hp	102.9 kw

#### Operational

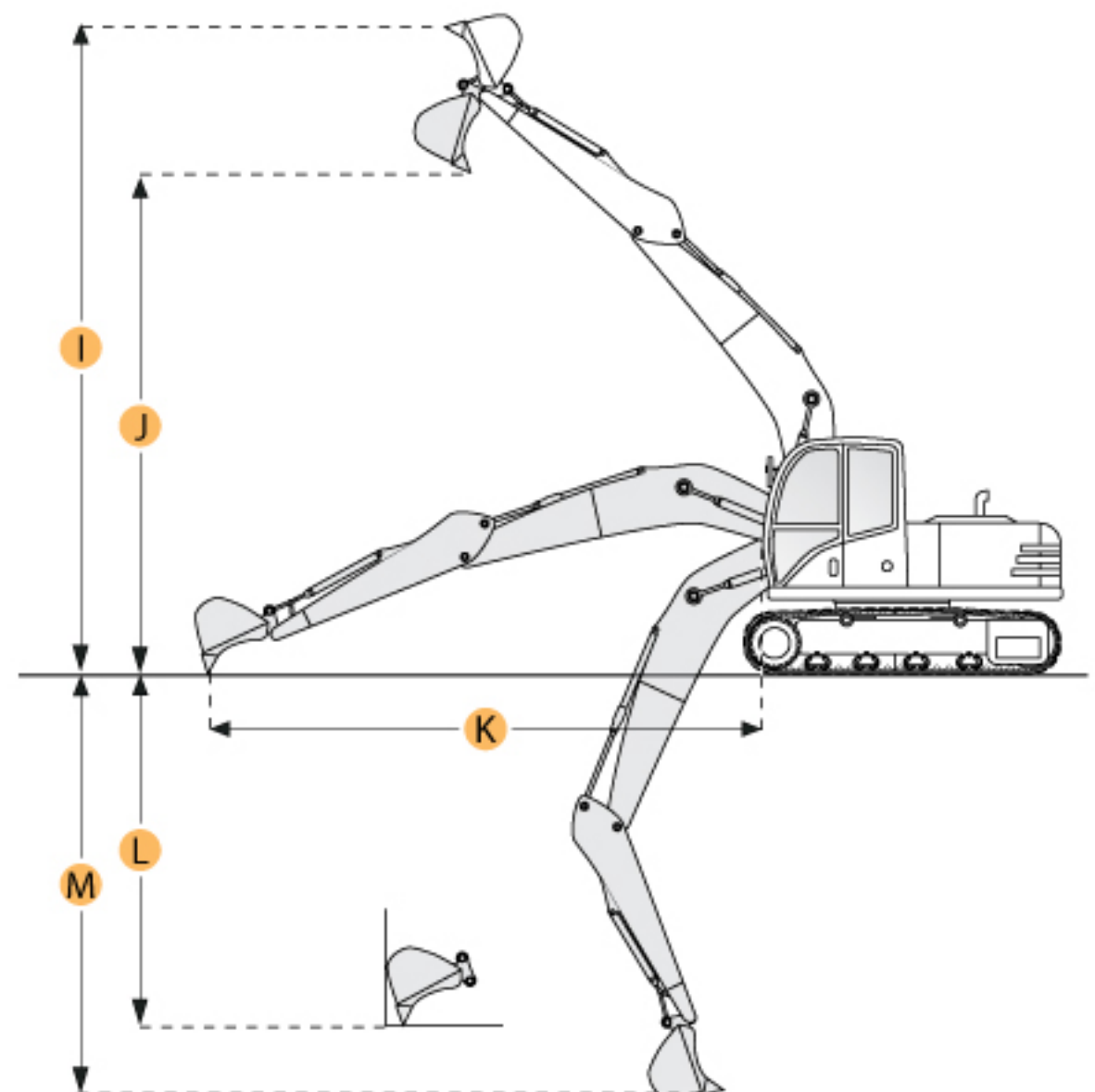
OPERATING WEIGHT	47972.6 lb	21760 kg
ENGINE OIL CAPACITY	7 gal	26.5 L

#### Undercarriage

SHOE SIZE	23.6 in	600 mm
MAX TRAVEL SPEED	3.4 mph	5.5 km/h
DRAWBAR PULL	44062.6 lb	196 kN
TRACK GAUGE	7.8 ft in	2380 mm

#### Buckets

REFERENCE BUCKET CAPACITY	1 yd3	0.8 m3
MINIMUM BUCKET CAPACITY	0.62 yd3	0.47 m3



MAXIMUM BUCKET CAPACITY 1.8 yd3 1.3 m3

**Boom/Stick Option (HEX) 1**

BOOM/STICK OPTION (HEX) 1	boom w/ stick R1.9C 1900mm	
SHIPPING HEIGHT OF UNIT	9.9 ft in	3011 mm
SHIPPING LENGTH OF UNIT	32.9 ft in	10042 mm
MAX DIGGING DEPTH	13.6 ft in	4160 mm
MAX REACH ALONG GROUND	30.7 ft in	9350 mm
MAX CUTTING HEIGHT	35.6 ft in	10850 mm
MAX LOADING HEIGHT	25.2 ft in	7690 mm
MAX VERTICAL WALL DIGGING DEPTH	10.8 ft in	3280 mm

**Boom/Stick Option (HEX) 2**

BOOM/STICK OPTION (HEX) 2	boom w/ stick R2.5B 2500mm	
SHIPPING HEIGHT OF UNIT	9.9 ft in	3011 mm
SHIPPING LENGTH OF UNIT	31.9 ft in	9710 mm
MAX DIGGING DEPTH	15.1 ft in	4600 mm
MAX REACH ALONG GROUND	32.2 ft in	9820 mm
MAX CUTTING HEIGHT	36.9 ft in	11250 mm
MAX LOADING HEIGHT	27.8 ft in	8480 mm
MAX VERTICAL WALL DIGGING DEPTH	12.3 ft in	3760 mm

**Boom/Stick Option (HEX) 3**

BOOM/STICK OPTION (HEX) 3	boom w/ stick R2.9B 2900mm	
SHIPPING HEIGHT OF UNIT	9.9 ft in	3011 mm
SHIPPING LENGTH OF UNIT	31.8 ft in	9692 mm
MAX DIGGING DEPTH	16.5 ft in	5020 mm
MAX REACH ALONG GROUND	33.6 ft in	10240 mm
MAX CUTTING HEIGHT	38.1 ft in	11620 mm
MAX LOADING HEIGHT	29.2 ft in	8900 mm
MAX VERTICAL WALL DIGGING DEPTH	13.6 ft in	4160 mm

**Boom/Stick Option (HEX) 4**

BOOM/STICK OPTION (HEX) 4	boom w/ stick R3.9B 3900mm	
SHIPPING HEIGHT OF UNIT	13.3 ft in	4057 mm
SHIPPING LENGTH OF UNIT	30.7 ft in	9371 mm
MAX DIGGING DEPTH	19.6 ft in	5960 mm
MAX REACH ALONG GROUND	36.5 ft in	11140 mm
MAX CUTTING HEIGHT	40.6 ft in	12390 mm
MAX LOADING HEIGHT	31.6 ft in	9640 mm
MAX VERTICAL WALL DIG DEPTH	16.6 ft in	5060 mm

**Dimensions**

WIDTH TO OUTSIDE OF TRACKS	9.8 ft in	2980 mm
HEIGHT TO TOP OF CAB	9.7 ft in	2950 mm
GROUND CLEARANCE	1.5 ft in	460 mm
TAIL SWING RADIUS	9.1 ft in	2770 mm
LENGTH OF TRACK ON GROUND	12 ft in	3650 mm



Viewing Photo 1 of 5