

[Home](#) → [Spec Search](#) → [Construction Equipment](#) → [Skid Steer Loader](#) → [Bobcat](#) → S650

BOBCAT S650 SKID STEER LOADER

[VIEW ARTICLES ON THIS ITEM](#)

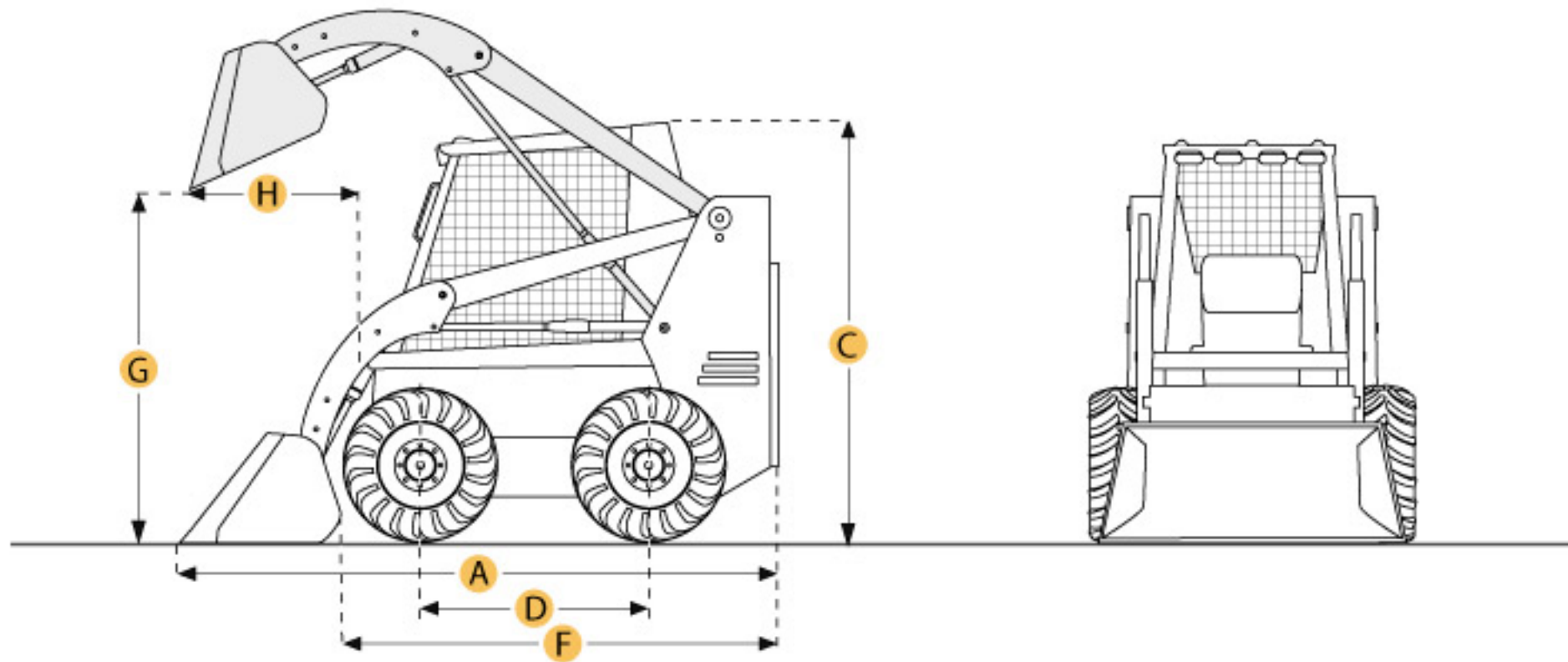
Print specification

Looking to purchase this item?

[Find a Bobcat S650 Skid Steer Loader](#) being sold at Ritchie Bros. auctions.

Need to sell equipment?

[Complete this form](#) and a Ritchie Bros. representative will contact you.



Selected Dimensions

Dimensions

A. LENGTH WITH BUCKET	11.4 ft in	3474.7 mm
B. WIDTH OVER TIRES	6 ft in	1828.8 mm
C. HEIGHT TO TOP OF CAB	6.8 ft in	2066.5 mm
D. WHEELBASE	3.8 ft in	1152.1 mm
F. LENGTH W/O BUCKET	9 ft in	2752.3 mm
H. REACH AT MAX LIFT AND DUMP	31.5 in	800.1 mm

Specification

Engine

GROSS POWER	74.3 hp	55.4 kw
ASPIRATION	Turbocharged	

Operational

OPERATIONAL WEIGHT	8327 lb	3777.1 kg
FUEL CAPACITY	27.3 gal	103.3 L
MAX SPEED	7.1 mph	11.4 km/h

Loader

OPERATING LOAD RATING	2690 lb	1220.2 kg
TIPPING LOAD	5380 lb	2440.3 kg

Hydraulic

PUMP FLOW CAPACITY	23 gal/min	87.1 L/min
--------------------	------------	------------

Dimensions

LENGTH WITH BUCKET	11.4 ft in	3474.7 mm
LENGTH W/O BUCKET	9 ft in	2752.3 mm
WIDTH OVER TIRES	6 ft in	1828.8 mm
HEIGHT TO TOP OF CAB	6.8 ft in	2066.5 mm
WHEELBASE	3.8 ft in	1152.1 mm
REACH AT MAX LIFT AND DUMP	31.5 in	800.1 mm

