

[Home](#) → [Spec Search](#) → [Construction Equipment](#) → [Skid Steer Loader](#) → [Bobcat](#) → S175

## BOBCAT S175 SKID STEER LOADER

[VIEW ARTICLES ON THIS ITEM](#)

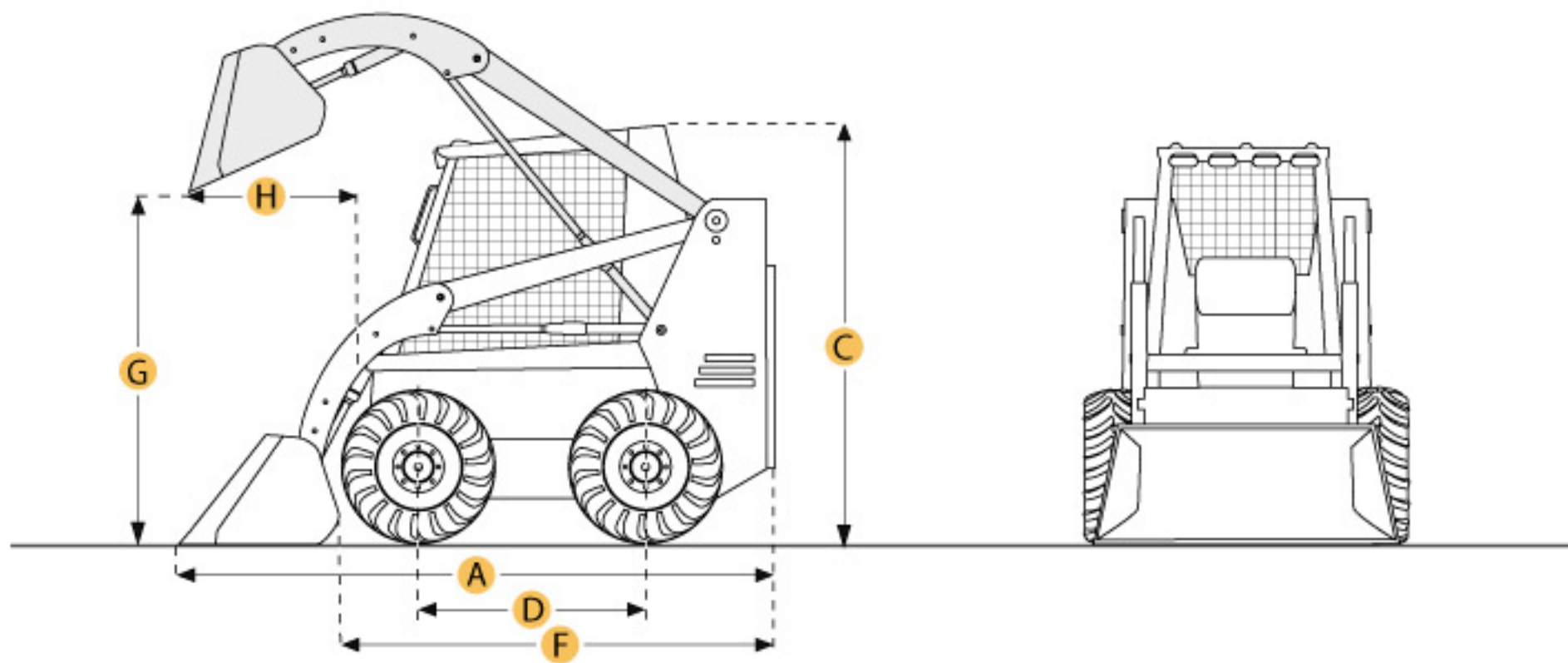
Print specification

Looking to purchase this item?

[Find a Bobcat S175 Skid Steer Loader](#) being sold at Ritchie Bros. auctions.

Need to sell equipment?

[Complete this form](#) and a Ritchie Bros. representative will contact you.



### Selected Dimensions

#### Dimensions

A. LENGTH WITH BUCKET	10.9 ft in	3310 mm
B. WIDTH OVER TIRES	5.5 ft in	1676 mm
C. HEIGHT TO TOP OF CAB	6.4 ft in	1938 mm
D. WHEELBASE	3.4 ft in	1030 mm
F. LENGTH W/O BUCKET	8.5 ft in	2588 mm
G. CLEARANCE AT MAX LIFT AND DUMP	7.6 ft in	2310 mm
H. REACH AT MAX LIFT AND DUMP	29.6 in	751.8 mm

### Specification

#### Engine

MODEL	V2203-M-DI	
GROSS POWER	46 hp	34.3 kw

#### Operational

OPERATIONAL WEIGHT	6220 lb	2821.3 kg
FUEL CAPACITY	24 gal	91 L
OPERATING SPEED	7.3 mph	11.7 km/h
MAX SPEED	11.1 mph	17.9 km/h

#### Loader

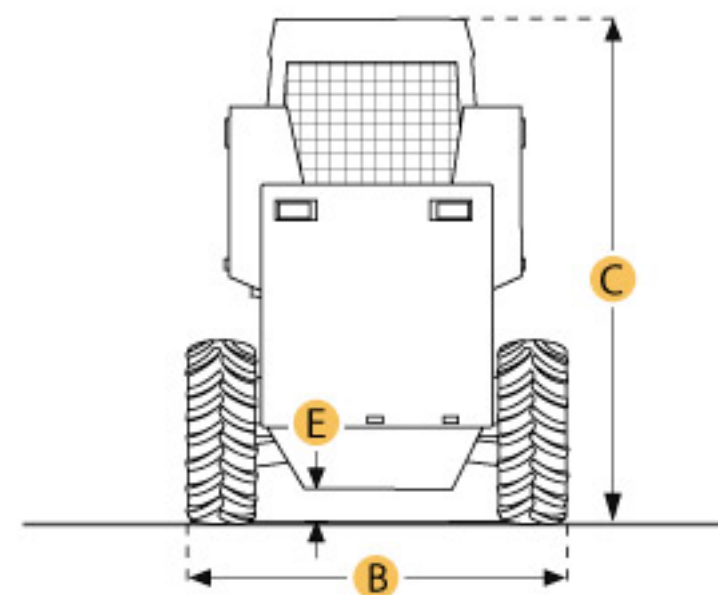
OPERATING LOAD RATING	1750 lb	793.8 kg
TIPPING LOAD	4076 lb	1848.8 kg

#### Hydraulic

PUMP FLOW CAPACITY	16.9 gal/min	64 L/min
RELIEF VALVE PRESSURE	3300 psi	22752.7 kPa

#### Dimensions

LENGTH WITH BUCKET	10.9 ft in	3310 mm
LENGTH W/O BUCKET	8.5 ft in	2588 mm
WIDTH OVER TIRES	5.5 ft in	1676 mm
HEIGHT TO TOP OF CAB	6.4 ft in	1938 mm
CLEARANCE AT MAX LIFT AND DUMP	7.6 ft in	2310 mm
WHEELBASE	3.4 ft in	1030 mm
REACH AT MAX LIFT AND DUMP	29.6 in	751.8 mm
TURNING RADIUS FROM CENTER - MACHINE REAR	78.8 in	2001.5 mm



Viewing Photo 1 of 5

