

[Home](#) → [Spec Search](#) → [All Types](#) → [Skid Steer Loader](#) → [Bobcat](#) → S150

BOBCAT S150 SKID STEER LOADER

[VIEW ARTICLES ON THIS ITEM](#)

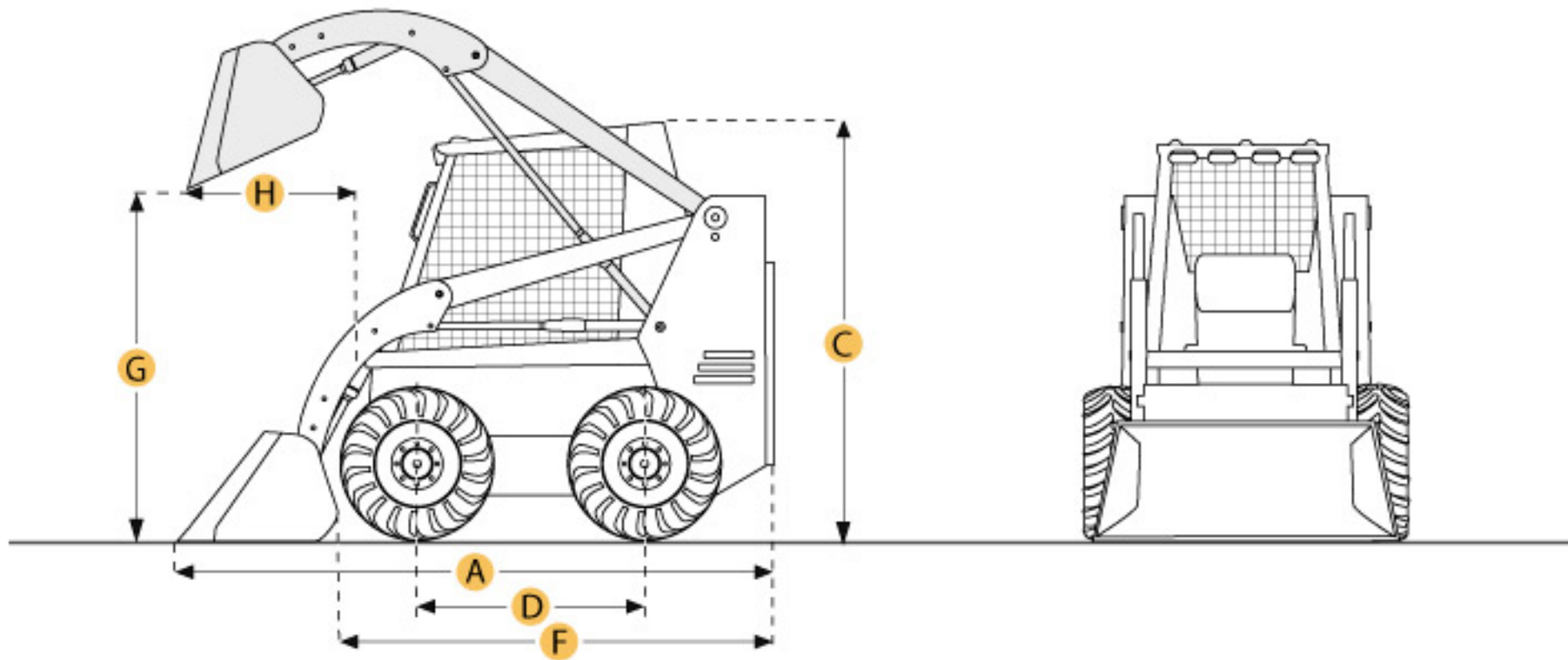
Print specification

Looking to purchase this item?

[Find a Bobcat S150 Skid Steer Loader](#) being sold at Ritchie Bros. auctions.

Need to sell equipment?

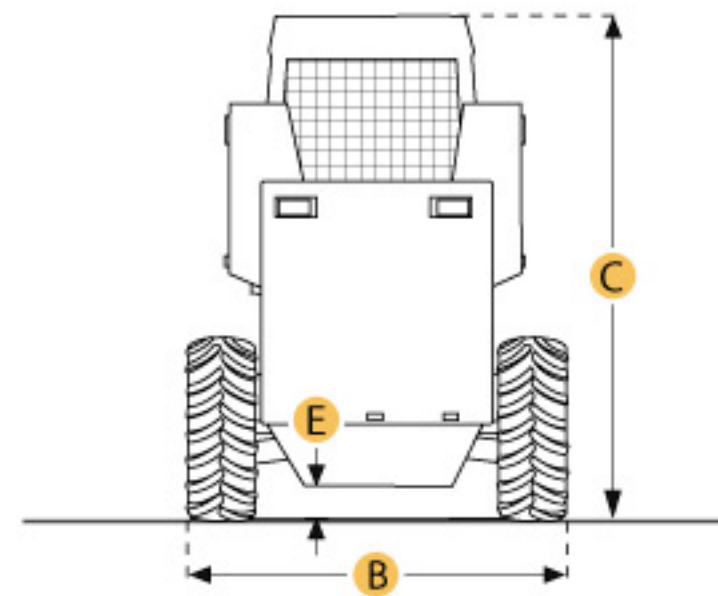
[Complete this form](#) and a Ritchie Bros. representative will contact you.



Selected Dimensions

Dimensions

A. LENGTH WITH BUCKET	10.9 ft in	3310 mm
B. WIDTH OVER TIRES	5.5 ft in	1676 mm
C. HEIGHT TO TOP OF CAB	6.4 ft in	1938 mm
D. WHEELBASE	3.4 ft in	1030 mm
E. GROUND CLEARANCE	7.5 in	191 mm
F. LENGTH W/O BUCKET	8.5 ft in	2588 mm
G. CLEARANCE AT MAX LIFT AND DUMP	7.2 ft in	2197 mm
H. REACH AT MAX LIFT AND DUMP	18.1 in	461 mm



Specification

Engine

MAKE	Kubota	
MODEL	V2203-M-DI-E2B-BC-3	
GROSS POWER	46 hp	34.3 kw
POWER MEASURED @	2800 rpm	
DISPLACEMENT	134.3 cu in	2.2 L
NUMBER OF CYLINDERS	4	

Operational

OPERATIONAL WEIGHT	5935 lb	2692.1 kg
FUEL CAPACITY	24 gal	91 L
OPERATING SPEED	7.3 mph	11.7 km/h
MAX SPEED	7.3 mph	11.7 km/h

Loader

OPERATING LOAD RATING	1500 lb	680.4 kg
TIPPING LOAD	3101 lb	1406.6 kg
BUCKET CAPACITY	0.41 yd ³	0.31 m ³

Hydraulic

PUMP FLOW CAPACITY	16.9 gal/min	64 L/min
RELIEF VALVE PRESSURE	3300 psi	22752.7 kPa

Dimensions

LENGTH WITH BUCKET	10.9 ft in	3310 mm
LENGTH W/O BUCKET	8.5 ft in	2588 mm
WIDTH OVER TIRES	5.5 ft in	1676 mm
HEIGHT TO TOP OF CAB	6.4 ft in	1938 mm
CLEARANCE AT MAX LIFT AND DUMP	7.2 ft in	2197 mm
WHEELBASE	3.4 ft in	1030 mm
GROUND CLEARANCE	7.5 in	191 mm



Viewing Photo 1 of 5

REACH AT MAX LIFT AND DUMP	18.1 in	461 mm
TURNING RADIUS FROM CENTER - MACHINE REAR	82.4 in	2093 mm

